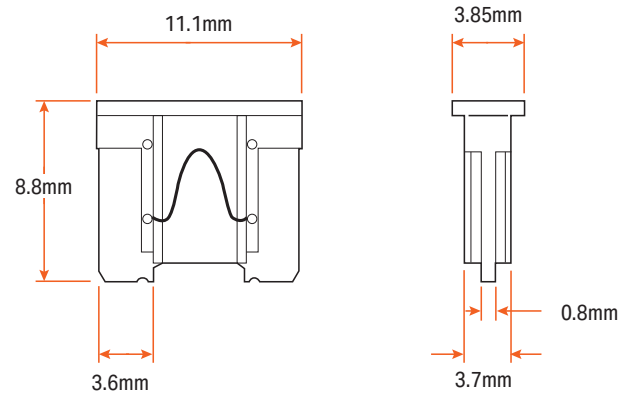


# Fuses

## Micro Blade Fuses

- **Application:** Designed primarily for the latest vehicles to save space and weight.
- **Materials:** Tin plated zinc alloy
- **Voltage rating:** 32V DC max
- **Operating temperature:** -40°C to +105°C



Electrical Characteristics	
Load (% rating)	Opening Time (s) Min / Max
110	14,400 / -
135	- / 1800
200	- / 0.5

Item SKU	Colour	Current Rating (A)
FU21-3	Purple	3
FU21-4	Pink	4
FU21-5	Tan	5
FU21-7.5	Brown	7.5
FU21-10	Red	10
FU21-15	Blue	15
FU21-20	Yellow	20
FU21-25	Clear	25
FU21-30	Green	30